

CORE PIPE[®]

Piping Solutions That Fit.[®]

 **PICOR**[®]

 **TUBE LINE**[®]
STAINLESS

 **TUBE TEC**[®]

 **BRITE LINE**[®]

Brewery Quality Catalog

All Dimensions in Inches

Please visit our website at:
www.corepipe.com

Please visit our E-Commerce website at:
www.shopcorepipe.com

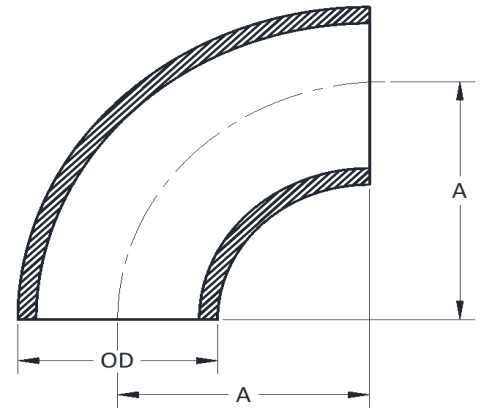


170 Tubeway Drive
Carol Stream, IL 60188
Phone 630-690-7000
Fax 630-690-9701

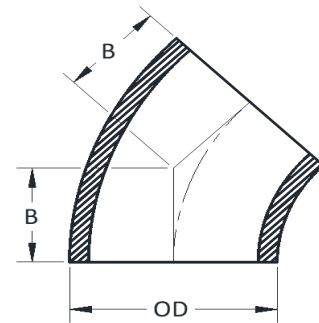
301 Brown Avenue
Sanford, FL 32771
Phone 407-323-0940
Fax 321-257-1005

Brewery Quality Elbows

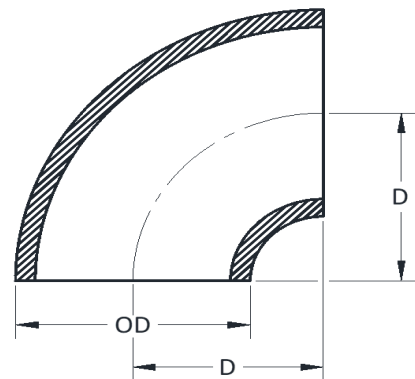
| Nominal Pipe Size | Outside Diameter, O.D. | Center to Ends | | |
|-------------------|------------------------|------------------|------------------|------------------|
| | | Center to End, A | Center to End, B | Center to End, D |
| ½ | 0.84 | 1.50 | 0.62 | ... |
| ¾ | 1.05 | 1.50 | 0.75 | ... |
| 1 | 1.32 | 1.50 | 0.88 | 1.00 |
| 1 ¼ | 1.66 | 1.88 | 1.00 | 1.25 |
| 1 ½ | 1.90 | 2.25 | 1.12 | 1.50 |
| 2 | 2.38 | 3.00 | 1.38 | 2.00 |
| 2 ½ | 2.88 | 3.75 | 1.75 | 2.50 |
| 3 | 3.50 | 4.50 | 2.00 | 3.00 |
| 4 | 4.50 | 6.00 | 2.50 | 4.00 |
| 5 | 5.56 | 7.50 | 3.12 | 5.00 |
| 6 | 6.62 | 9.00 | 3.75 | 6.00 |
| 8 | 8.62 | 12.00 | 5.00 | 8.00 |
| 10 | 10.75 | 15.00 | 6.25 | 10.00 |
| 12 | 12.75 | 18.00 | 7.50 | 12.00 |



90° Long Radius Elbows



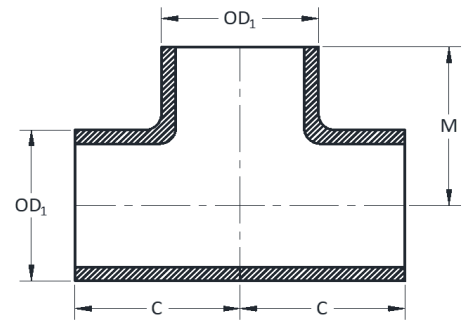
45° Long Radius Elbows



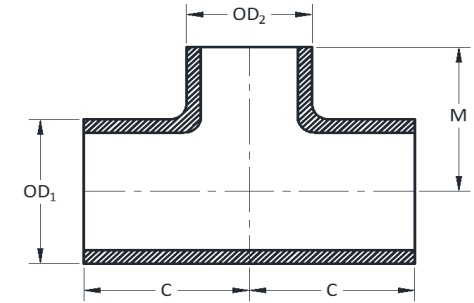
90° Short Radius Elbows

Brewery Quality Tee's and Crosses

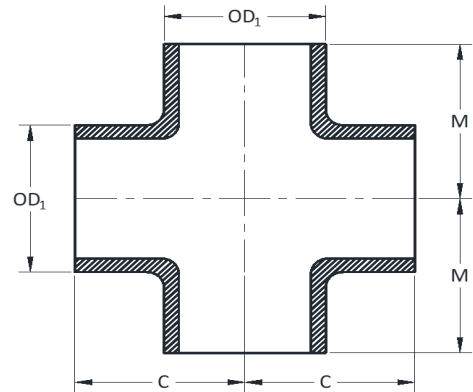
| Nominal Pipe Size | | Outside Diameter | | Center to End | |
|-------------------|-----|------------------|-----------------|---------------|----------|
| NPS X | NPS | OD ₁ | OD ₂ | Run C | Outlet M |
| ½ | ½ | 0.84 | 0.84 | 1.00 | 1.00 |
| ¾ | ¾ | 1.05 | 1.05 | 1.12 | 1.12 |
| | ½ | 1.05 | 0.84 | 1.12 | 1.12 |
| 1 | 1 | 1.32 | 1.32 | 1.50 | 1.50 |
| | ¾ | 1.32 | 1.05 | 1.50 | 1.50 |
| | ½ | 1.32 | 0.84 | 1.50 | 1.50 |
| 1 ¼ | 1 ¼ | 1.66 | 1.66 | 1.88 | 1.88 |
| | 1 | 1.66 | 1.32 | 1.88 | 1.88 |
| | ¾ | 1.66 | 1.05 | 1.88 | 1.88 |
| | ½ | 1.66 | 0.84 | 1.88 | 1.88 |
| 1 ½ | 1 ½ | 1.90 | 1.90 | 2.25 | 2.25 |
| | 1 ¼ | 1.90 | 1.66 | 2.25 | 2.25 |
| | 1 | 1.90 | 1.32 | 2.25 | 2.25 |
| | ¾ | 1.90 | 1.05 | 2.25 | 2.25 |
| | ½ | 1.90 | 0.84 | 2.25 | 2.25 |
| 2 | 2 | 2.38 | 2.38 | 2.50 | 2.50 |
| | 1 ½ | 2.38 | 1.90 | 2.50 | 2.38 |
| | 1 ¼ | 2.38 | 1.66 | 2.50 | 2.25 |
| | 1 | 2.38 | 1.32 | 2.50 | 2.00 |
| | ¾ | 2.38 | 1.05 | 2.50 | 1.75 |
| 2 ½ | 2 ½ | 2.88 | 2.88 | 3.00 | 3.00 |
| | 2 | 2.88 | 2.38 | 3.00 | 2.75 |
| | 1 ½ | 2.88 | 1.90 | 3.00 | 2.62 |
| | 1 ¼ | 2.88 | 1.66 | 3.00 | 2.50 |
| | 1 | 2.88 | 1.32 | 3.00 | 2.25 |
| 3 | 3 | 3.50 | 3.50 | 3.38 | 3.38 |
| | 2 ½ | 3.50 | 2.88 | 3.38 | 3.25 |
| | 2 | 3.50 | 2.38 | 3.38 | 3.00 |
| | 1 ½ | 3.50 | 1.90 | 3.38 | 2.88 |
| | 1 ¼ | 3.50 | 1.66 | 3.38 | 2.75 |
| 4 | 4 | 4.50 | 4.50 | 4.12 | 4.12 |
| | 3 ½ | 4.50 | 4.00 | 4.12 | 4.00 |
| | 3 | 4.50 | 3.50 | 4.12 | 3.88 |
| | 2 ½ | 4.50 | 2.88 | 4.12 | 3.75 |
| | 2 | 4.50 | 2.38 | 4.12 | 3.50 |
| | 1 ½ | 4.50 | 1.90 | 4.12 | 3.38 |



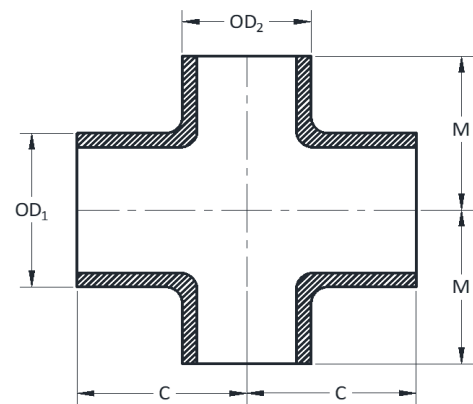
Straight Tee



Reducing Tee



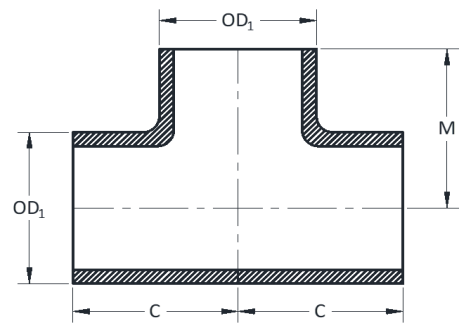
Straight Cross



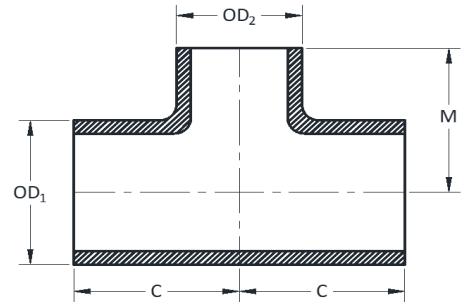
Reducing Cross

Brewery Quality Tee's and Crosses

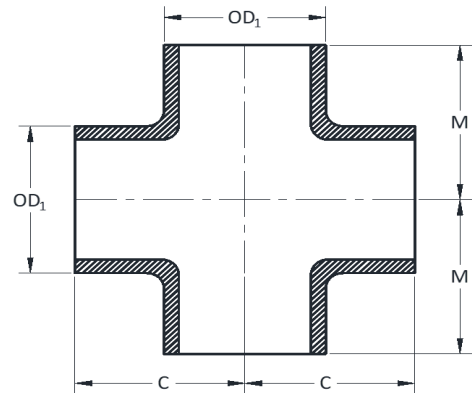
| Nominal Pipe Size | | Outside Diameter | | Center to End | |
|-------------------|-----|------------------|-----------------|---------------|----------|
| NPS X | NPS | OD ₁ | OD ₂ | Run C | Outlet M |
| 5 | 5 | 5.56 | 5.56 | 4.88 | 4.88 |
| | 4 | 5.56 | 4.50 | 4.88 | 4.62 |
| | 3½ | 5.56 | 4.00 | 4.88 | 4.50 |
| | 3 | 5.56 | 3.50 | 4.88 | 4.38 |
| | 2½ | 5.56 | 2.88 | 4.88 | 4.25 |
| | 2 | 5.56 | 2.38 | 4.88 | 4.12 |
| 6 | 6 | 6.62 | 6.62 | 5.62 | 5.62 |
| | 5 | 6.62 | 5.56 | 5.62 | 5.38 |
| | 4 | 6.62 | 4.50 | 5.62 | 5.12 |
| | 3½ | 6.62 | 4.00 | 5.62 | 5.00 |
| | 3 | 6.62 | 3.50 | 5.62 | 4.88 |
| | 2½ | 6.62 | 2.88 | 5.62 | 4.75 |
| 8 | 8 | 8.62 | 8.62 | 7.00 | 7.00 |
| | 6 | 8.62 | 6.62 | 7.00 | 6.62 |
| | 5 | 8.62 | 5.56 | 7.00 | 6.38 |
| | 4 | 8.62 | 4.50 | 7.00 | 6.12 |
| | 3½ | 8.62 | 4.00 | 7.00 | 6.00 |
| 10 | 10 | 10.75 | 10.75 | 8.50 | 8.50 |
| | 8 | 10.75 | 8.62 | 8.50 | 8.00 |
| | 6 | 10.75 | 6.62 | 8.50 | 7.62 |
| | 5 | 10.75 | 5.56 | 8.50 | 7.50 |
| | 4 | 10.75 | 4.50 | 8.50 | 7.25 |
| 12 | 12 | 12.75 | 12.75 | 10.00 | 10.00 |
| | 10 | 12.75 | 10.75 | 10.00 | 9.50 |
| | 8 | 12.75 | 8.62 | 10.00 | 9.00 |
| | 6 | 12.75 | 6.62 | 10.00 | 8.62 |
| | 5 | 12.75 | 5.56 | 10.00 | 8.50 |



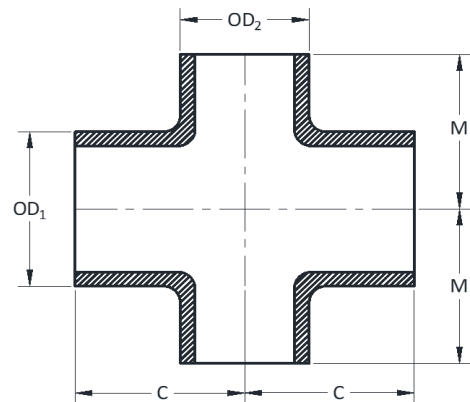
Straight Tee



Reducing Tee

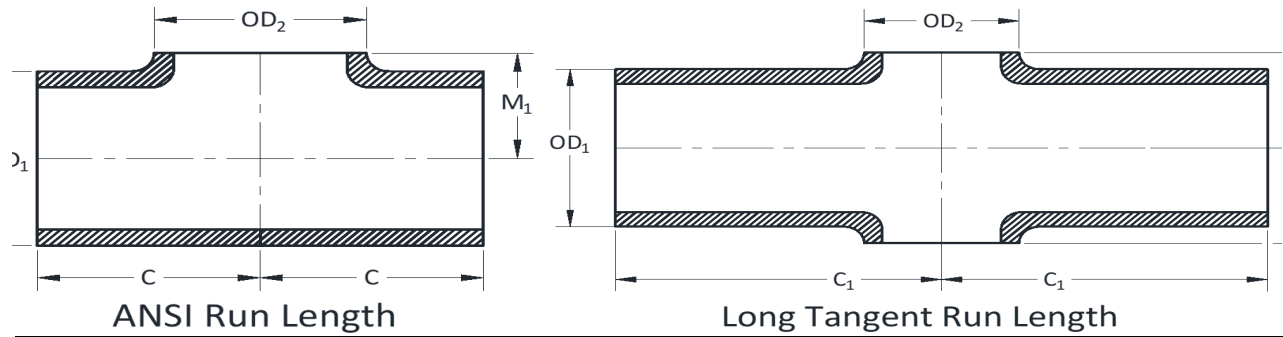


Straight Cross



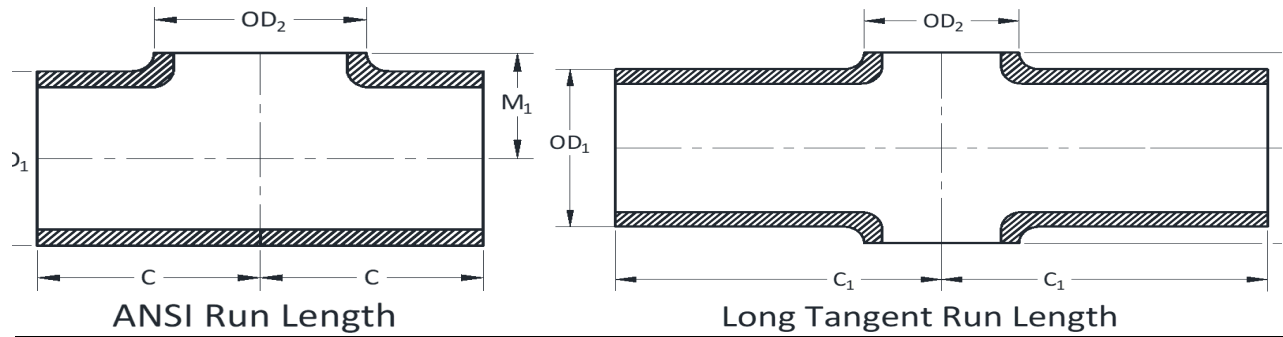
Reducing Cross

Brewery Quality Short Outlet Tee's and Crosses



| Nominal Pipe Size | | Outside Diameter | | ANSI Run Length Center to End | | Long Tangent Run Length Center to End | |
|-------------------|-----|------------------|-----------------|-------------------------------|-----------------------|---------------------------------------|-----------------------|
| NPS X | NPS | OD ₁ | OD ₂ | Run C | Outlet M ₁ | Run C ₁ | Outlet M ₁ |
| 2 | 2 | 2.38 | 2.38 | 2.50 | 2.12 | 4.00 | 2.12 |
| | 1½ | 2.38 | 1.90 | 2.50 | 2.12 | 4.00 | 2.12 |
| | 1¼ | 2.38 | 1.66 | 2.50 | 2.12 | 4.00 | 2.12 |
| | 1 | 2.38 | 1.32 | 2.50 | 2.12 | 4.00 | 2.12 |
| | ¾ | 2.38 | 1.05 | 2.50 | 2.12 | 4.00 | 2.12 |
| 2½ | 2½ | 2.88 | 2.88 | 3.00 | 2.38 | 4.62 | 2.38 |
| | 2 | 2.88 | 2.38 | 3.00 | 2.38 | 4.62 | 2.38 |
| | 1½ | 2.88 | 1.90 | 3.00 | 2.38 | 4.62 | 2.38 |
| | 1¼ | 2.88 | 1.66 | 3.00 | 2.38 | 4.62 | 2.38 |
| | 1 | 2.88 | 1.32 | 3.00 | 2.38 | 4.62 | 2.38 |
| 3 | 3 | 3.50 | 3.50 | 3.38 | 2.62 | 5.00 | 2.62 |
| | 2½ | 3.50 | 2.88 | 3.38 | 2.62 | 5.00 | 2.62 |
| | 2 | 3.50 | 2.38 | 3.38 | 2.62 | 5.00 | 2.62 |
| | 1½ | 3.50 | 1.90 | 3.38 | 2.62 | 5.00 | 2.62 |
| | 1¼ | 3.50 | 1.66 | 3.38 | 2.62 | 5.00 | 2.62 |
| 4 | 4 | 4.50 | 4.50 | 4.12 | 3.12 | 5.75 | 3.12 |
| | 3 | 4.50 | 3.50 | 4.12 | 3.12 | 5.75 | 3.12 |
| | 2½ | 4.50 | 2.88 | 4.12 | 3.12 | 5.75 | 3.12 |
| | 2 | 4.50 | 2.38 | 4.12 | 3.12 | 5.75 | 3.12 |
| | 1½ | 4.50 | 1.90 | 4.12 | 3.12 | 5.75 | 3.12 |
| 5 | 5 | 5.56 | 5.56 | 4.88 | 3.59 | 7.12 | 3.59 |
| | 4 | 5.56 | 4.50 | 4.88 | 3.59 | 7.12 | 3.59 |
| | 3 | 5.56 | 3.50 | 4.88 | 3.59 | 7.12 | 3.59 |
| | 2½ | 5.56 | 2.88 | 4.88 | 3.59 | 7.12 | 3.59 |
| | 2 | 5.56 | 2.38 | 4.88 | 3.59 | 7.12 | 3.59 |

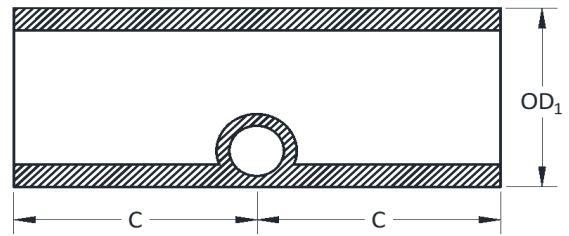
Brewery Quality Short Outlet Tee's and Crosses



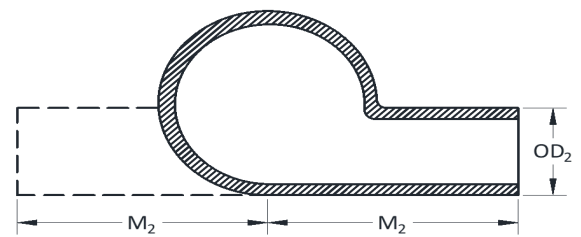
| Nominal Pipe Size | | Outside Diameter | | ANSI Run Length Center to End | | Long Tangent Run Length Center to End | |
|-------------------|-----|------------------|-----------------|-------------------------------|-----------------------|---------------------------------------|-----------------------|
| NPS X | NPS | OD ₁ | OD ₂ | Run C | Outlet M ₁ | Run C ₁ | Outlet M ₁ |
| 6 | 6 | 6.62 | 6.62 | 5.62 | 4.12 | 7.88 | 4.12 |
| | 5 | 6.62 | 5.56 | 5.62 | 4.12 | 7.88 | 4.12 |
| | 4 | 6.62 | 4.50 | 5.62 | 4.12 | 7.88 | 4.12 |
| | 3 | 6.62 | 3.50 | 5.62 | 4.12 | 7.88 | 4.12 |
| | 2½ | 6.62 | 2.88 | 5.62 | 4.12 | 7.88 | 4.12 |
| 8 | 8 | 8.62 | 8.62 | 7.00 | 5.12 | 9.25 | 5.12 |
| | 6 | 8.62 | 6.62 | 7.00 | 5.12 | 9.25 | 5.12 |
| | 5 | 8.62 | 5.56 | 7.00 | 5.12 | 9.25 | 5.12 |
| | 4 | 8.62 | 4.50 | 7.00 | 5.12 | 9.25 | 5.12 |
| 10 | 10 | 10.75 | 10.75 | 8.50 | 6.19 | 10.75 | 6.19 |
| | 8 | 10.75 | 8.62 | 8.50 | 6.19 | 10.75 | 6.19 |
| | 6 | 10.75 | 6.62 | 8.50 | 6.19 | 10.75 | 6.19 |
| | 5 | 10.75 | 5.56 | 8.50 | 6.19 | 10.75 | 6.19 |
| | 4 | 10.75 | 4.50 | 8.50 | 6.19 | 10.75 | 6.19 |
| 12 | 12 | 12.75 | 12.75 | 10.00 | 7.19 | 12.25 | 7.19 |
| | 10 | 12.75 | 10.75 | 10.00 | 7.19 | 12.25 | 7.19 |
| | 8 | 12.75 | 8.62 | 10.00 | 7.19 | 12.25 | 7.19 |
| | 6 | 12.75 | 6.62 | 10.00 | 7.19 | 12.25 | 7.19 |
| | 5 | 12.75 | 5.56 | 10.00 | 7.19 | 12.25 | 7.19 |

Brewery Quality Tangential Outlet Reducing Tee's and Crosses

| Nominal Pipe Size | | Outside Diameter | | Center to End | |
|-------------------|-----|------------------|-----------------|---------------|-----------------------|
| NPS X | NPS | OD ₁ | OD ₂ | Run C | Outlet M ₂ |
| 1½ | 1 | 1.90 | 1.32 | 2.25 | 2.00 |
| | ¾ | 1.90 | 1.05 | 2.25 | 2.00 |
| 2 | 1½ | 2.38 | 1.90 | 2.50 | 2.38 |
| | 1 | 2.38 | 1.32 | 2.50 | 2.00 |
| | ¾ | 2.38 | 1.05 | 2.50 | 2.00 |
| 3 | 2 | 3.50 | 2.38 | 3.38 | 3.00 |
| | 1½ | 3.50 | 1.90 | 3.38 | 2.88 |
| | 1 | 3.50 | 1.32 | 3.38 | 2.62 |
| | ¾ | 3.50 | 1.05 | 3.38 | 2.62 |
| 4 | 3 | 4.50 | 3.50 | 4.12 | 3.88 |
| | 2 | 4.50 | 2.38 | 4.12 | 3.50 |
| | 1½ | 4.50 | 1.90 | 4.12 | 3.38 |
| | 1 | 4.50 | 1.32 | 4.12 | 3.38 |
| | ¾ | 4.50 | 1.05 | 4.12 | 3.38 |
| 6 | 4 | 6.62 | 4.50 | 5.62 | 5.12 |
| | 3 | 6.62 | 3.50 | 5.62 | 4.88 |
| | 2 | 6.62 | 2.38 | 5.62 | 4.88 |
| | 1½ | 6.62 | 1.90 | 5.62 | 4.88 |
| | 1 | 6.62 | 1.32 | 5.62 | 4.88 |
| | ¾ | 6.62 | 1.05 | 5.62 | 4.88 |
| 8 | 6 | 8.62 | 6.62 | 7.00 | 6.62 |
| | 4 | 8.62 | 4.50 | 7.00 | 6.12 |
| | 3 | 8.62 | 3.50 | 7.00 | 6.00 |
| | 2 | 8.62 | 2.38 | 7.00 | 6.00 |
| | 1½ | 8.62 | 1.90 | 7.00 | 6.00 |
| | 1 | 8.62 | 1.32 | 7.00 | 6.00 |
| | ¾ | 8.62 | 1.05 | 7.00 | 6.00 |
| 10 | 8 | 10.75 | 8.62 | 8.50 | 8.50 |
| | 6 | 10.75 | 6.62 | 8.50 | 8.50 |
| | 4 | 10.75 | 4.50 | 8.50 | 8.50 |
| | 3 | 10.75 | 3.50 | 8.50 | 8.50 |
| | 2 | 10.75 | 2.38 | 8.50 | 8.50 |
| | 1½ | 10.75 | 1.90 | 8.50 | 8.50 |
| | 1 | 10.75 | 1.32 | 8.50 | 8.50 |
| | ¾ | 10.75 | 1.05 | 8.50 | 8.50 |
| 12 | 10 | 12.75 | 10.75 | 10.00 | 9.50 |
| | 8 | 12.75 | 8.62 | 10.00 | 9.50 |
| | 6 | 12.75 | 6.62 | 10.00 | 9.50 |
| | 4 | 12.75 | 4.50 | 10.00 | 9.50 |
| | 3 | 12.75 | 3.50 | 10.00 | 9.50 |
| | 2 | 12.75 | 2.38 | 10.00 | 9.50 |
| | 1½ | 12.75 | 1.90 | 10.00 | 9.50 |
| | 1 | 12.75 | 1.32 | 10.00 | 9.50 |
| | ¾ | 12.75 | 1.05 | 10.00 | 9.50 |



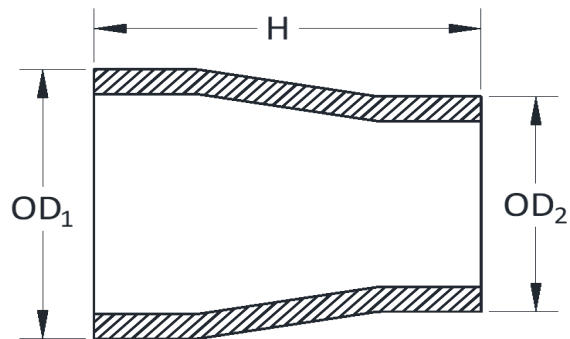
Run and Center to End



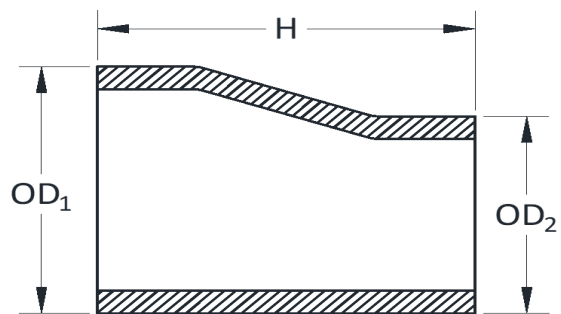
Branch and Center to End

Brewery Quality Concentric and Eccentric Reducers

| Nominal Pipe Size | | Outside Diameter | | Length |
|-------------------|----------|------------------|-----------------|--------|
| NPS X | NPS | OD ₁ | OD ₂ | H |
| ¾ | ½ | 1.05 | 0.84 | 1.50 |
| 1 | ¾ | 1.32 | 1.05 | 2.00 |
| | ½ | 1.32 | 0.84 | 2.00 |
| 1 ¼ | 1 | 1.66 | 1.32 | 2.00 |
| | ¾ | 1.66 | 1.05 | 2.00 |
| 1 ½ | 1 ¼ | 1.90 | 1.66 | 2.50 |
| | 1 | 1.90 | 1.32 | 2.50 |
| | ¾ | 1.90 | 1.05 | 2.50 |
| | ½ (2) | 1.90 | 0.84 | 2.50 |
| 2 | 1 ½ | 2.38 | 1.90 | 3.00 |
| | 1 ¼ | 2.38 | 1.66 | 3.00 |
| | 1 | 2.38 | 1.32 | 3.00 |
| | ¾ (2) | 2.38 | 1.05 | 3.00 |
| | ½ (2) | 2.38 | 0.84 | 3.00 |
| 2 ½ | 2 | 2.88 | 2.38 | 3.50 |
| | 1 ½ | 2.88 | 1.90 | 3.50 |
| | 1 ¼ | 2.88 | 1.66 | 3.50 |
| | 1 (2) | 2.88 | 1.32 | 3.50 |
| 3 | 2 ½ | 3.50 | 2.88 | 3.50 |
| | 2 | 3.50 | 2.38 | 3.50 |
| | 1 ½ | 3.50 | 1.90 | 3.50 |
| | 1 ¼ | 3.50 | 1.66 | 3.50 |
| | 1 (2) | 3.50 | 1.32 | 3.50 |
| 4 | 3 | 4.50 | 3.50 | 4.00 |
| | 2 ½ | 4.50 | 2.88 | 4.00 |
| | 2 | 4.50 | 2.38 | 4.00 |
| | 1 ½ (2) | 4.50 | 1.90 | 4.00 |
| 5 | 4 (2) | 5.56 | 4.50 | 5.00 |
| | 3 (2) | 5.56 | 3.50 | 5.00 |
| 6 | 5 (2) | 6.62 | 5.56 | 5.50 |
| | 4 | 6.62 | 4.50 | 5.50 |
| | 3 | 6.62 | 3.50 | 5.50 |
| | 2 ½ (2) | 6.62 | 2.88 | 5.50 |
| | 2 (1)(2) | 6.62 | 2.38 | 5.50 |
| 8 | 6 | 8.62 | 6.62 | 6.00 |
| | 5 (3) | 8.62 | 5.56 | 6.00 |
| | 4 (3) | 8.62 | 4.50 | 6.00 |
| 10 | 8 (3) | 10.75 | 8.62 | 7.00 |
| | 6 | 10.75 | 6.62 | 7.00 |
| | 4 (1) | 10.75 | 4.50 | 7.00 |
| 12 | 10 (3) | 12.75 | 10.75 | 8.00 |
| | 8 (1) | 12.75 | 8.62 | 8.00 |
| | 6 (1)(2) | 12.75 | 6.62 | 8.00 |



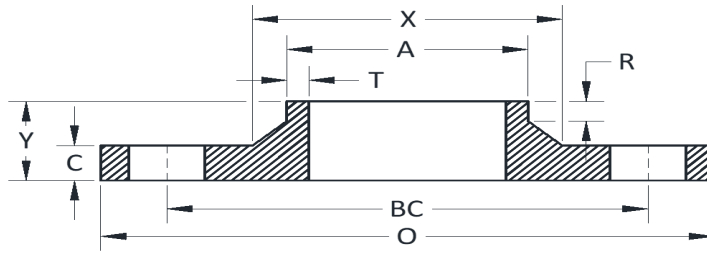
Concentric Reducer



Eccentric Reducer

Notes (1) Cone Type
 (2) Concentric Only
 (3) Cone Type Eccentric

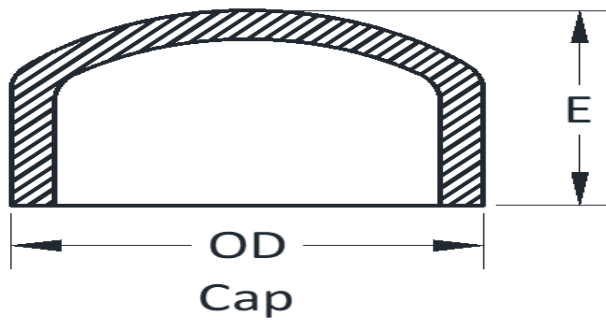
Brewery Quality Corrosion Weight Flanges and Caps



Corrosion Weight Flange

| Nominal Pipe Size | O | C | Y | A | X | T | R | BC | DIA Holes | Qty Holes |
|-------------------|-------|------|------|-------|-------|-------|-------|-------|-----------|-----------|
| ½" | 3.50 | 0.38 | 0.88 | 0.84 | 1.19 | 0.065 | 0.25 | 2.38 | 0.62 | 4 |
| ¾" | 3.88 | 0.38 | 0.88 | 1.05 | 1.50 | 0.065 | 25.00 | 2.75 | 0.62 | 4 |
| 1" | 4.25 | 0.38 | 0.88 | 1.32 | 1.94 | 0.065 | 0.25 | 3.12 | 0.62 | 4 |
| 1½" | 5.00 | 0.38 | 0.88 | 1.90 | 2.56 | 0.065 | 0.25 | 3.88 | 0.62 | 4 |
| 2" | 6.00 | 0.44 | 1.00 | 2.38 | 3.06 | 0.065 | 0.25 | 4.75 | 0.75 | 4 |
| 2½" | 7.00 | 0.44 | 1.00 | 2.88 | 3.56 | 0.083 | 0.31 | 5.50 | 0.75 | 4 |
| 3" | 7.50 | 0.50 | 1.12 | 3.50 | 4.25 | 0.083 | 0.31 | 6.00 | 0.75 | 4 |
| 4" | 9.00 | 0.50 | 1.12 | 4.50 | 5.31 | 0.083 | 0.31 | 7.50 | 0.75 | 8 |
| 5" | 10.00 | 0.50 | 1.12 | 5.56 | 6.44 | 0.109 | 0.31 | 8.50 | 0.88 | 8 |
| 6" | 11.00 | 0.56 | 1.25 | 6.62 | 7.56 | 0.109 | 0.31 | 9.50 | 0.88 | 8 |
| 8" | 13.50 | 0.56 | 1.25 | 8.62 | 9.69 | 0.109 | 0.31 | 11.75 | 0.88 | 8 |
| 10" | 16.00 | 0.69 | 1.38 | 10.75 | 12.00 | 0.134 | 0.38 | 14.25 | 1.00 | 12 |
| 12" | 19.00 | 0.69 | 1.38 | 12.75 | 14.38 | 0.156 | 0.38 | 17.00 | 1.00 | 12 |

| Nominal Pipe Size | Outside Diameter, OD | Length, E |
|-------------------|----------------------|-----------|
| ½ | 0.84 | 1.00 |
| ¾ | 1.05 | 1.00 |
| 1 | 1.32 | 1.50 |
| 1 ¼ | 1.66 | 1.50 |
| 1 ½ | 1.90 | 1.50 |
| 2 | 2.38 | 1.50 |
| 2 ½ | 2.88 | 1.50 |
| 3 | 3.50 | 2.00 |
| 3 ½ | 4.00 | 2.50 |
| 4 | 4.50 | 2.50 |
| 5 | 5.56 | 3.00 |
| 6 | 6.62 | 3.50 |
| 8 | 8.62 | 4.00 |
| 10 | 10.75 | 5.00 |
| 12 | 12.75 | 6.00 |



Brewery Quality Tolerances

| Tolerance Table | | | | |
|-------------------------|------------------|--------------|----------------|--------------------------|
| Nominal Pipe Size (NPS) | Outside Diameter | OD Tolerance | Wall Thickness | Wall Thickness Tolerance |
| ½ | 0.84 | .005 / -.012 | .065 | +/- .005 |
| ¾ | 1.05 | .005 / -.012 | .065 | +/- .005 |
| 1 | 1.32 | .005 / -.012 | .065 | +/- .005 |
| 1 ¼ | 1.66 | .005 / -.012 | .065 | +/- .005 |
| 1 ½ | 1.90 | .008 / -.015 | .065 | +/- .005 |
| 2 | 2.38 | .010 / -.016 | .065 | +/- .005 |
| 2 ½ | 2.88 | .015 / -.020 | .083 | +/- .006 |
| 3 | 3.50 | .015 / -.020 | .083 | +/- .006 |
| 4 | 4.50 | .015 / -.020 | .083 | +/- .007 |
| 5 | 5.56 | .020 / -.030 | .109 | +/- .008 |
| 6 | 6.62 | .020 / -.030 | .109 | +/- .008 |
| 8 | 8.62 | +/- .035 | .109 | +/- .009 |
| 10 | 10.75 | +/- .042 | .134 | +/- .010 |
| 12 | 12.75 | +/- .052 | .156 | +/- .011 |

| Material Specifications | | | | |
|-------------------------|--------|--------|--------|--------|
| | 304 | 304L | 316 | 316L |
| C Max. | .08 | .035 | .08 | .035 |
| Si Max. | 1.00 | 1.00 | 1.00 | 1.00 |
| MN Max. | 2.00 | 2.00 | 2.00 | 2.00 |
| P Max. | .045 | .045 | .045 | .045 |
| S Max. | .030 | .030 | .030 | .030 |
| Ni | 8-11 | 8-13 | 10-14 | 10-15 |
| Cr | 18-20 | 18-20 | 16-18 | 16-18 |
| Mo | - | - | 2-3 | 2-3 |
| Yield Min. | 30,000 | 25,000 | 30,000 | 25,000 |
| Tensile Min. | 75,000 | 70,000 | 75,000 | 70,000 |
| % Elong. | 35 | 35 | 35 | 35 |